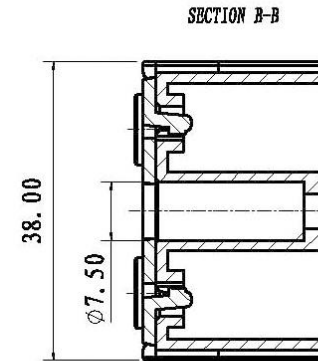
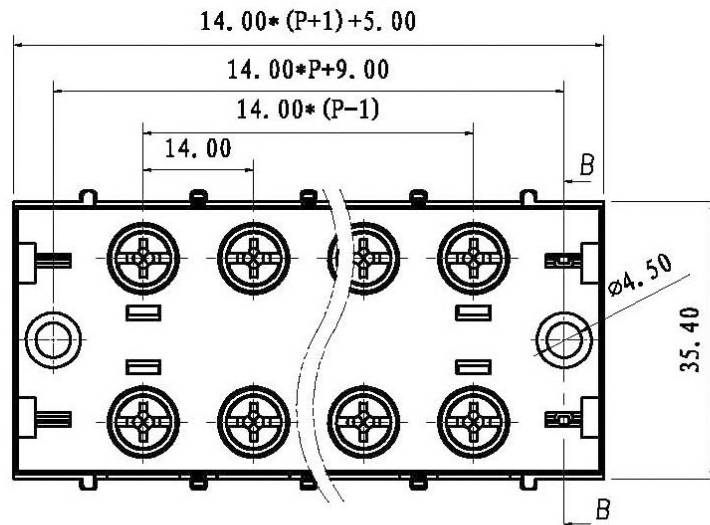
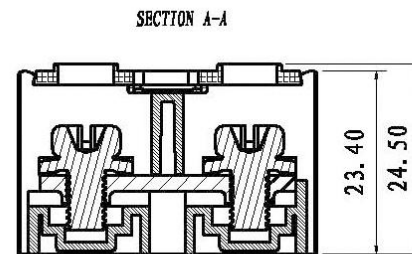
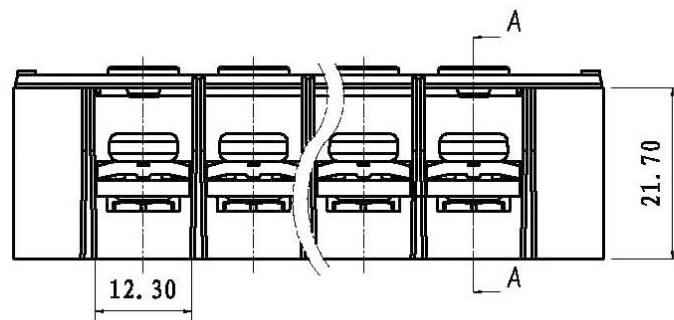


REVISION RECORD			
REV.	CONTENT	MOD.	DATE
▲	初版发行		



技术要求:
 额定电压: 600V
 额定电流: 45A
 螺钉类型/扭力: M5/2.0 N.m
 绝缘材料类型: PC
 阻燃等级: V1
 导线截面: $6\text{mm}^2 \text{max}$



	pitch dimension			Nominal dimension					— /
	over 0	over 6	over 10	over 0	over 30	over 60	over 100	over 150	
variable range	to 6	to 10	to 24	to 30	to 60	to 100	to 150		□ ○
Tolerance	±0.1	±0.15	±0.25	±0.2	±0.3	±0.5	±0.7	±1.0	0.05/10

4	M5*10-12*12螺丝	SPPSA501091V	2P	碳钢	三价铬钝化彩锌
3	TA-40A-导电件	60TABDD040AV	P	黄铜	镀镍
2	TB1-45A-透明盖	6TB1C700450V	1	PC	透明
1	TB1-45A-本体	6TB1C700450V	1	PC	黑色
NO.	NAME OF PART	NO. OF PART	Q'TY	MATERIAL	NOTES
DES.	ZSH	DATE	2016/03/10	UNITS	mm
CHK.		DATE		SIZE	A4
APP.		DATE		SCALE	1:1
				DWG NO.	SP-2-6TB45A1
				TITLE	TB1-45XX-130-00A TB1-45A-成品

上海联捷电气有限公司
 Shanghai Elinker Electric CO.,LTD

TITLE

TB1-45XX-130-00A
 TB1-45A-成品

SHEET
 1 of 1

REV: V0